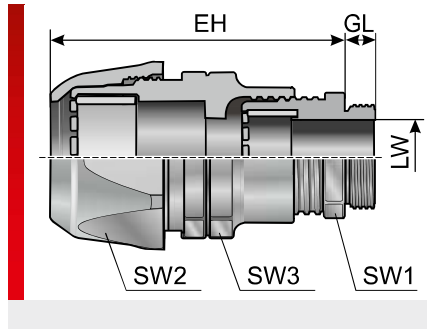


Type CVG (conduit and cable fitting, plastic thread)



PRODUCT INFORMATION

The CVG combined conduit and cable fittings are made of specially modified polyamide 6 and thermoplastic elastomer. The materials are halogen, phosphor and cadmium-free.

The CVG combined conduit and cable fittings feature the following advantages:

- Quick assembly, insert conduit, screw upper part tight, done
- No parts can get lost, delivered completely assembled

- Resistant to vibration due to lockable cap nut
- Clamping along entire circumference, ensuring maximum tensile strength.
- Optimum strain relief for the cable
- High level of tightness at IP 68/69K to 6 bar without any add-on components to EN 60529

Specification:

- EN 45545-2 3x HL3

SPECIFICATIONS

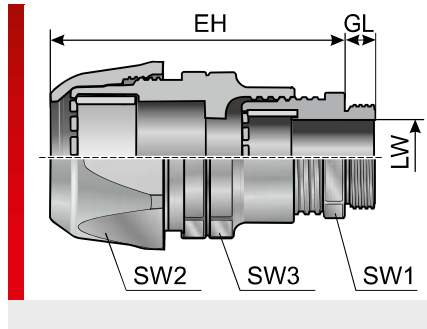
- 40 – 110 °C short term 140 °C
- Fitting: Mod. polyamide PA 6
Connecting thread: Mod. polyamide PA 6
- Acc. to UL94 V0 self-extinguishing
- IP 68 up to 6 bar (IP 69K)



Type	Order No.	Colour	Connecting thread	Suitable for Murrflex	EH mm	GL mm	Clamping range (LW) mm	SW 1 / 2 / 3 mm	Pack qty.
Metric plastic thread									
CVG M12-K	83531050	Black	M12x1.5	M12/P09	39.00	8.00	3.0 – 6.5	15.0 / 20.0 / 20.0	50
CVG M16-K	83531052	Black	M16x1,5	M16/P11	45.00	8.00	4.0 – 8.0	22.0 / 25.0 / 25.0	50
CVG M20-K	83531056	Black	M20x1.5	M20/P16	55.00	9.00	6.0 – 12.0	24.0 / 33.0 / 33.0	50
CVG M25-K	83531058	Black	M25x1.5	M25/P21	57.00	11.00	13.0 – 18.0	33.0 / 42.0 / 40.0	50
CVG M32-K	83531060	Black	M32x1.5	M32/P29	69.00	11.00	18.0 – 25.0	42.0 / 50.0 / 50.0	25
CVG M40-K ¹⁾	83531062	Black	M40x1.5	M40/P36	84.00	13.00	22.0 – 32.0	53.0 / 60.0 / 60.0	25
CVG M63-K	83531064	Black	M63x1.5	M50/P48	94.00	14.00	37.0 – 44.0	60.0 / 75.0 / 73.0	10

¹⁾With CSA approval

Type CVG EMV (conduit and cable fitting, metal thread)



PRODUCT INFORMATION

The CVG EMV combined conduit and cable fittings are made of specially modified polyamide 6, thermoplastic elastomer and nickel-plated brass. The materials are halogen, phosphor and cadmium-free.

The CVG EMV combined conduit and cable fittings feature the following advantages:

- Quick assembly, insert conduit, screw upper part tight, done
- No parts can get lost, delivered completely assembled

- Resistant to vibration due to lockable cap nut
- Clamping along entire circumference, ensuring maximum tensile strength.
- Optimum strain relief for the cable
- High level of tightness at IP 68/69K to 6 bar without any add-on components to EN 60529

Specification:

- EN 45545-2 3x HL3

SPECIFICATIONS

- 40 – 110 °C short term 140 °C
- Fitting: Mod. polyamide PA 6
Connecting thread: Nickel-plated brass
- Acc. to UL94 V0 self-extinguishing
- IP 68 up to 6 bar (IP 69K)



Type	Order No.	Colour	Connecting thread	Suitable for Murrflex	EH mm	GL mm	Clamping range (LW) mm	SW 1 / 2 / 3 mm	Pack qty.
Metric metal thread / EMC version									
CVG M12 EMV	83551050	Black	M12x1.5	M12/P09	39.00	6.50	3.0 – 6.5	14.0 / 20.0 / 20.0	50
CVG M16 EMV	83551052	Black	M16x1.5	M16/P11	45.00	6.00	5.0 – 8.0	20.0 / 25.0 / 25.0	50
CVG M20 EMV	83551056	Black	M20x1.5	M20/P16	55.00	6.00	10.0 – 14.0	24.0 / 33.0 / 33.0	50
CVG M25 EMV	83551058	Black	M25x1.5	M25/P21	57.00	7.00	13.0 – 18.0	30.0 / 42.0 / 40.0	50
CVG M32 EMV	83551060	Black	M32x1.5	M32/P29	69.00	8.00	18.0 – 25.0	40.0 / 50.0 / 50.0	25
CVG M40 EMV ¹⁾	83551062	Black	M40x1.5	M40/P36	84.00	8.00	22.0 – 32.0	50.0 / 60.0 / 60.0	25
CVG M50-EMV	83551063	Black	M50x1.5	M50/P48	94.00	10.00	37.0 – 44.0	68.0 / 75.0 / 75.0	10
CVG M63 EMV	83551064	Black	M63x1.5	M50/P48	94.00	10.00	37.0 – 44.0	68.0 / 75.0 / 75.0	10
Metric metal thread / EMC version with extended thread									
CVG/L M12 EMV	83551650	Black	M12x1.5	M12/P09	39.00	10.00	3.0 – 6.5	14.0 / 20.0 / 20.0	50
CVG/L M16 EMV	83551652	Black	M16x1.5	M16/P11	45.00	10.00	5.0 – 10.0	20.0 / 25.0 / 25.0	50
CVG/L M20 EMV	83551656	Black	M20x1.5	M20/P16	55.00	10.00	10.0 – 14.0	24.0 / 33.0 / 33.0	50
CVG/L M25 EMV	83551658	Black	M25x1.5	M25/P21	57.00	12.00	13.0 – 18.0	33.0 / 41.0 / 40.0	50
CVG/L M32 EMV	83551660	Black	M32x1.5	M32/P29	69.00	12.00	18.0 – 25.0	40.0 / 50.0 / 50.0	25
CVG/L M40 EMV ¹⁾	83551662	Black	M40x1.5	M40/P36	84.00	15.00	22.0 – 32.0	50.0 / 60.0 / 60.0	25
CVG/L M50-EMV	83551663	Black	M50x1.5	M50/P48	94.00	15.00	37.0 – 44.0	68.0 / 75.0 / 75.0	10

¹⁾With CSA approval