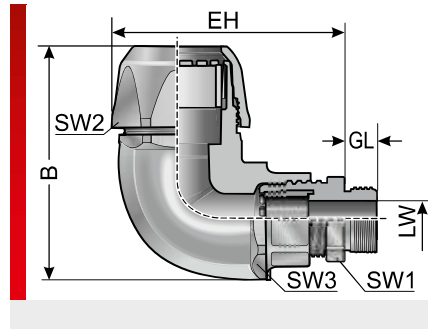


## Type CVW 90° (conduit and cable fitting, plastic thread)



### PRODUCT INFORMATION

The CVW 90° combined conduit and cable fittings are made of specially modified polyamide 6 and thermoplastic elastomer. The materials are halogen, phosphor and cadmium-free.

The CVW 90° combined conduit and cable fittings feature the following advantages:

- Quick assembly, insert conduit, screw upper part tight, done
- No parts can get lost, delivered completely assembled

- Resistant to vibration due to lockable cap nut
- Clamping along entire circumference, ensuring maximum tensile strength.
- Optimum strain relief for the cable
- High level of tightness at IP 68/69K to 6 bar without any add-on components to EN 60529

Specification:

- EN 45545-2 3x HL3

### SPECIFICATIONS

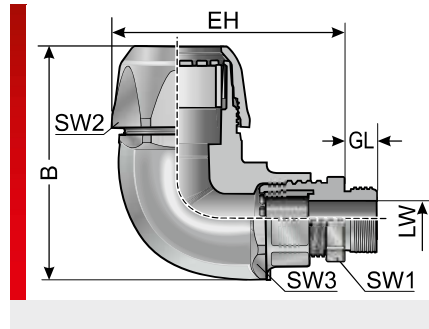
- 40 – 110 °C short term 140 °C
- Fitting: Mod. polyamide PA 6  
Connecting thread: Mod. polyamide PA 6
- Acc. to UL94 V0 self-extinguishing
- IP 68 up to 6 bar (IP 69K)



Type	Order No.	Colour	Connecting thread	Suitable for Murrflex	EH mm	GL mm	B mm	Clamping range (LW) mm	SW 1 / 2 / 3 mm	Pack qty.
<b>Metric plastic thread</b>										
CVW 90 M12	83531450	Black	M12x1.5	M12/P09	45.00	8.00	44.00	3.0 – 6.5	21.0 / 15.0 / 20.0	50
CVW 90 M16	83531452	Black	M16x1,5	M16/P11	55.00	8.00	54.00	4.0 – 8.0	27.0 / 22.0 / 25.0	50
CVW 90 M20	83531456	Black	M20x1.5	M20/P16	67.00	9.00	67.00	6.0 – 12.0	33.0 / 24.0 / 33.0	50
CVW 90 M25	83531458	Black	M25x1.5	M25/P21	76.00	11.00	79.00	13.0 – 19.0	41.0 / 33.0 / 41.0	25
CVW 90 M32	83531460	Black	M32x1.5	M32/P29	94.00	11.00	92.00	18.0 – 25.0	50.0 / 42.0 / 50.0	25
CVW 90 M40 <sup>1)</sup>	83531462	Black	M40x1.5	M40/P36	112.00	13.00	109.00	22.0 – 32.0	60.0 / 53.0 / 60.0	25
CVW 90 M63	83531464	Black	M63x1.5	M50/P48	128.00	14.00	136.00	37.0 – 44.0	75.0 / 68.0 / 75.0	10

<sup>1)</sup>With CSA approval

## Type CVW 90° EMV (EMC conduit and cable fitting, metal thread)



### PRODUCT INFORMATION

The CVW 90° EMV combined conduit and cable fittings are made of specially modified polyamide 6, thermoplastic elastomer and nickel-plated brass. The materials are halogen, phosphor and cadmium-free. The CVW 90° EMV combined conduit and cable fittings feature the following advantages:

- Quick assembly, insert conduit, screw upper part tight, done
- No parts can get lost, delivered completely assembled

- Resistant to vibration due to lockable cap nut
- Clamping along entire circumference, ensuring maximum tensile strength.
- Optimum strain relief for the cable
- High level of tightness at IP 68/69K to 6 bar without any add-on components to EN 60529

Specification:

- EN 45545-2 3x HL3

### SPECIFICATIONS

- 40 – 110 °C short term 140 °C
- Fitting: Mod. polyamide PA 6  
Connecting thread: Nickel-plated brass
- Acc. to UL94 V0 self-extinguishing
- IP 68 up to 6 bar (IP 69K)

RoHS
 HF
 CE
 UL
 Made in Germany

Type	Order No.	Colour	Connecting thread	Suitable for Murrflex	EH mm	GL mm	B mm	Clamping range (LW) mm	SW 1 / 2 / 3 mm	Pack qty.
<b>Metric metal thread / EMC version</b>										
CVW 90 M12 EMV	83551450	Black	M12x1.5	M12/P09	46.00	6.50	45.00	3.0 – 6.5	21.0 / 14.0 / 20.0	50
CVW 90 M16 EMV	83551452	Black	M16x1,5	M16/P11	54.00	6.00	54.00	5.0 – 10.0	27.0 / 20.0 / 25.0	50
CVW 90 M20 EMV	83551456	Black	M20x1.5	M20/P16	67.00	6.00	67.00	10.0 – 14.0	34.0 / 24.0 / 33.0	50
CVW 90 M25 EMV	83551458	Black	M25x1.5	M25/P21	74.00	7.00	79.00	13.0 – 18.0	41.0 / 30.0 / 41.0	25
CVW 90 M32 EMV	83551460	Black	M32x1.5	M32/P29	88.00	8.00	92.00	18.0 – 25.0	50.0 / 40.0 / 50.0	25
CVW 90 M40 EMV <sup>1)</sup>	83551462	Black	M40x1.5	M40/P36	108.00	8.00	109.00	22.0 – 32.0	60.0 / 50.0 / 60.0	25
CVW 90 M63 EMV	83551464	Black	M63x1.5	M50/P36	127.00	10.00	136.00	37.0 – 44.0	75.0 / 68.0 / 75.0	10

<sup>1)</sup>With CSA approval