



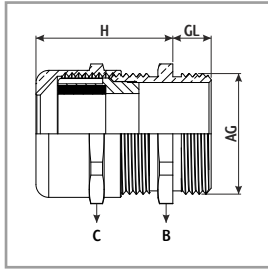
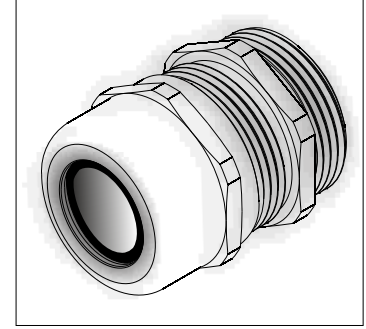
### ORTAC METAL CABLE GLANDS SERIES



Metal series are separated than other cable glands due to the following characteristics;

- High heat and impact resistance
- TPV rubber seal
- Ensures a firm grip on the cable that each point equal to 360°
- Connection thread norm (EN 60423)
- IP68 protection class
- Permanent heat resistance -40 °C +100 °C
- Halogen free (not contain poisonous gas)
- Nitrile butadiene rubber (NBR O-ring)

## METAL CABLE GLANDS STANDARD TYPE BRASS



### ETANJ PİRİNÇ RAKOR

Hammaddesi	: Pirinç, nikel kaplı
Kablo tutucu	: Polyamid
Bağlantı dişi M	: EN 60423
Koruma sınıfı	: IP 68 5 bar
Isıya direnci	: - 40 °C + 100 °C
Conta	: Termoplastik vulkanize TPV
O-ring	: Nitril kauçuk



LONG THREAD



### METRIC THREAD CABLE GLANDS

AG Thread	Code	H mm	GL mm	B mm	C mm	mm
M 12 x 1,5	OMBG 01	19	6	14	14	3 - 6,5
M 16 x 1,5	OMBG 02	21	7	18	17	4 - 8
M 20 x 1,5	OMBG 03	23	8	22	22	6 - 12
M 25 x 1,5	OMBG 04	24	8	27	24	10 - 14
M 32 x 1,5	OMBG 05	25	9	34	30	13 - 18
M 40 x 1,5	OMBG 06	31	9	43	40	18 - 25
M 50 x 1,5	OMBG 07	37	9	55	50	22 - 32
M 63 x 1,5	OMBG 08	38	14	68	64	34 - 44

### LONG METRIC CABLE GLANDS

M 12 x 1,5	OMBG 09	19	12	14	14	3 - 6,5
M 16 x 1,5	OMBG 10	21	12	18	17	4 - 8
M 20 x 1,5	OMBG 11	23	12	22	22	6 - 12
M 25 x 1,5	OMBG 12	24	12	27	24	10 - 14
M 32 x 1,5	OMBG 13	25	14	34	30	13 - 18
M 40 x 1,5	OMBG 14	31	14	43	40	18 - 25
M 50 x 1,5	OMBG 15	37	14	55	50	22 - 32
M 63 x 1,5	OMBG 16	38	18	68	64	34 - 44

PRODUCT RANGE OVERVIEW

IP 68

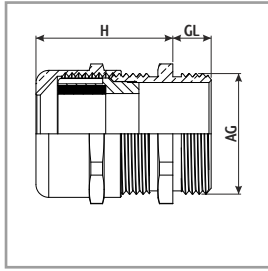
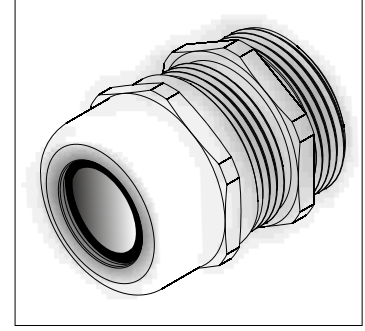
Halogen free

## ORTAC METAL CABLE GLANDS SERIES

Metal series are separated than other cable glands due to the following characteristics;

- High heat and impact resistance
- TPV rubber seal
- Ensures a firm grip on the cable that each point equal to 360°
- Connection thread norm (DIN 40430)
- IP68 protection class
- Permanent heat resistance -40 °C +100 °C
- Halogen free (not contain poisonous gas)
- Nitrile butadiene rubber (NBR O-ring)

## METAL CABLE GLANDS STANDARD TYPE BRASS



### ETANJ PİRİNÇ RAKOR

Hammaddesi	: Pirinç, nikel kaplı
Kablo tutucu	: Polyamid
Bağlantı dişi PG	: DIN 40430
Koruma sınıfı	: IP 68 5 bar
Isıya direnci	: - 40 °C + 100 °C
Conta	: Termoplastik vulkanize TPV
O-ring	: Nitril kauçuk



### PG THREAD CABLE GLANDS

AG Thread	Code	H mm	GL mm	mm	mm
PG 7	OPBG 01	19	6	14	3 - 6,5
PG 9	OPBG 02	21	6	17	4 - 8
PG 11	OPBG 03	22	6	20	5 - 10
PG 13,5	OPBG 04	23	6,5	22	6 - 12
PG 16	OPBG 05	24	6,5	24	10 - 14
PG 21	OPBG 06	25	7	30	13 - 18
PG 29	OPBG 07	31	8	40	18 - 25
PG 36	OPBG 08	37	10	50	22 - 32
PG 42	OPBG 09	37	12	57	30 - 38
PG 48	OPBG 10	38	14	64	34 - 44

### LONG PG CABLE GLANDS

PG 7	OPBG 11	19	10	14	3 - 6,5
PG 9	OPBG 12	21	10	17	4 - 8
PG 11	OPBG 13	22	10	20	5 - 10
PG 13,5	OPBG 14	23	10	22	6 - 12
PG 16	OPBG 15	24	10	24	10 - 14
PG 21	OPBG 16	25	12	30	13 - 18
PG 29	OPBG 17	31	12	40	18 - 25
PG 36	OPBG 18	37	14	50	22 - 32
PG 42	OPBG 19	37	18	57	30 - 38
PG 48	OPBG 20	38	18	64	34 - 44