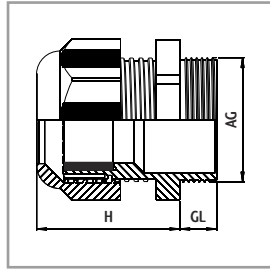
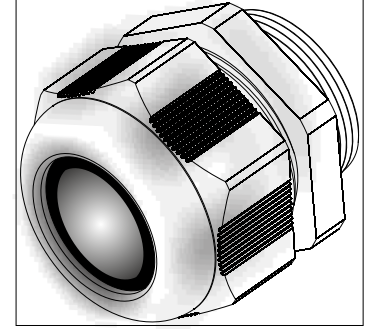


**ORTAC PLASTIC CABLE GLANDS SERIES**

Plastic series are separated than other cable glands due to the following characteristics;

- High heat and impact resistance
- Anti lock system provides superior antivibration protection
- TPV rubber seal
- Resistance to Ultraviolet rays
- Ensures a firm grip on the cable that each point equal to 360°
- Connection thread norm (EN 60423)
- Slippery surface for easy cable access
- IP68 protection class
- Permanent heat resistance -30 °C +80 °C
- Halogen free (not contain poisonous gas)
- According to EN 50262

## POLYAMIDE CABLE GLANDS STANDARD TYPE

**ETANJ RAKOR**

Hammaddesi	: Polyamid
Renk	: RAL 7001 (Gri) RAL 7035 (Açık Gri) RAL 9005 (Siyah)
Bağlantı Dişi M	: EN 60423
Koruma sınıfı	: IP 68 5 bar
Sürekli ısıya direnci	: -30 °C +80 °C
Kısa süreli ısıya direnci	: +150 °C
Conta	: Termoplastik vulkanize TPV



■ RAL 7001    ■ RAL 7035    ■ RAL 9005

\* Red (RAL 3020) and White (RAL 9010) colours are available

**METRIC THREAD CABLE GLANDS**

AG Thread	Gray Code ■ RAL 7001	L. Gray Code ■ RAL 7035	Black Code ■ RAL 9005	H mm	GL mm	mm	mm
M 12 x 1,5	OMRG 01	OMRL 01	OMRB 01	24	8	15	3 - 6,5
M 16 x 1,5	OMRG 02	OMRL 02	OMRB 02	28	8	19	4 - 8
M 16 x 1,5	OMRG 03	OMRL 03	OMRB 03	29	10	22	5 - 10
M 20 x 1,5	OMRG 04	OMRL 04	OMRB 04	29	10	24	6 - 12
M 20 x 1,5	OMRG 05	OMRL 05	OMRB 05	33	10	27	10 - 14
M 25 x 1,5	OMRG 06	OMRL 06	OMRB 06	38	10	33	13 - 18
M 32 x 1,5	OMRG 07	OMRL 07	OMRB 07	41	10	42	18 - 25
M 40 x 1,5	OMRG 08	OMRL 08	OMRB 08	51	10	53	22 - 32
M 50 x 1,5	OMRG 09	OMRL 09	OMRB 09	53	18	60	30 - 38
M 63 x 1,5	OMRG 10	OMRL 10	OMRB 10	55	18	70	34 - 44

**LONG METRIC CABLE GLANDS**

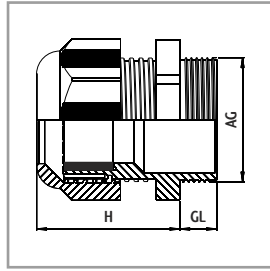
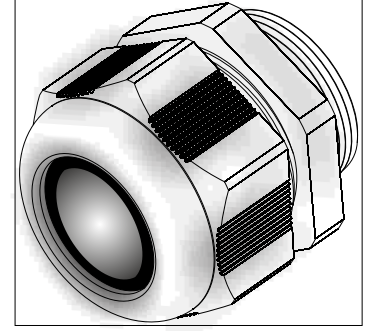
M 12 x 1,5	OMRG 01L	OMRL 01L	OMRB 01L	24	15	15	3 - 6,5
M 16 x 1,5	OMRG 11S	OMRL 11S	OMRB 11S	28	15	19	4 - 8
M 16 x 1,5	OMRG 11	OMRL 11	OMRB 11	29	15	22	5 - 10
M 20 x 1,5	OMRG 12	OMRL 12	OMRB 12	29	15	24	6 - 12
M 20 x 1,5	OMRG 13	OMRL 13	OMRB 13	33	15	27	10 - 14
M 25 x 1,5	OMRG 14	OMRL 14	OMRB 14	38	15	33	13 - 18
M 32 x 1,5	OMRG 15	OMRL 15	OMRB 15	41	18	42	18 - 25
M 40 x 1,5	OMRG 16	OMRL 16	OMRB 16	51	18	53	22 - 32

## ORTAC PLASTIC CABLE GLANDS SERIES

Plastic series are separated than other cable glands due to the following characteristics;

- High heat and impact resistance
- Anti lock system provides superior antivibration protection
- TPV rubber seal
- Resistance to Ultraviolet rays
- Ensures a firm grip on the cable that each point equal to 360°
- Connection thread norm (DIN 40430)
- Slippery surface for easy cable access
- IP68 protection class
- Permanent heat resistance -30 °C +80 °C
- Halogen free (not contain poisonous gas)

## POLYAMIDE CABLE GLANDS STANDARD TYPE



### ETANJ RAKOR

Hammaddesi	: Polyamid
Renk	: RAL 7001 (Gri) RAL 7035 (Açık Gri) RAL 9005 (Siyah)
Bağlantı Dişi PG	: DIN 40430
Koruma sınıfı	: IP 68 5 bar
Sürekli ısıya direnci	: -30 °C +80 °C
Kısa süreli ısıya direnci	: +150 °C
Conta	: Termoplastik vulkanize TPV



\* Red (RAL 3020) and White (RAL 9010) colours are available

### PG THREAD CABLE GLANDS

AG Thread	Gray Code ■ RAL 7001	L. Gray Code ■ RAL 7035	Black Code ■ RAL 9005	H mm	GL mm	mm	mm
PG 7	ORG 01	ORL 01	ORB 01	24	8	15	3 - 6,5
PG 9	ORG 02	ORL 02	ORB 02	28	8	19	4 - 8
PG 11	ORG 03	ORL 03	ORB 03	29	8	22	5 - 10
PG 13.5	ORG 04	ORL 04	ORB 04	29	9	24	6 - 12
PG 16	ORG 05	ORL 05	ORB 05	33	9	27	10 - 14
PG 21	ORG 06	ORL 06	ORB 06	38	11	33	13 - 18
PG 29	ORG 07	ORL 07	ORB 07	41	11	42	18 - 25
PG 36	ORG 08	ORL 08	ORB 08	51	13	53	22 - 32
PG 42	ORG 09	ORL 09	ORB 09	53	13	60	30 - 38
PG 48	ORG 10	ORL 10	ORB 10	55	14	65	34 - 44

### LONG PG CABLE GLANDS

PG 7	ORGL 01	ORLL 01	ORBL 01	24	15	15	3 - 6,5
PG 9	ORGL 02	ORLL 02	ORBL 02	28	15	29	4 - 8
PG 11	ORGL 03	ORLL 03	ORBL 03	29	15	22	5 - 10
PG 13.5	ORGL 04	ORLL 04	ORBL 04	29	15	24	6 - 12
PG 16	ORGL 05	ORLL 05	ORBL 05	33	15	27	10 - 14
PG 21	ORGL 06	ORLL 06	ORBL 06	38	15	33	13 - 18
PG 29	ORGL 07	ORLL 07	ORBL 07	41	15	42	18 - 25
PG 36	ORGL 08	ORLL 08	ORBL 08	51	18	53	22 - 32
PG 42	ORGL 09	ORLL 09	ORBL 09	53	18	60	30 - 38
PG 48	ORGL 10	ORLL 10	ORBL 10	55	18	65	34 - 44