

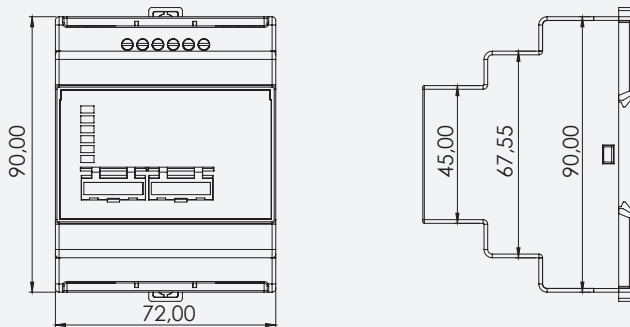


## POWYS SERIES ENERGY ANALYZER

The **POWYS** series power analyzers, designed in new enclosures with widths of 72mm and 126mm, are devices intended for analyzing three-phase electrical systems. Offering users options of screenless, 7-segment, and LCDs, the **POWYS** series provides a competitive solution through its screenless models and free user interface software. Equipped with an RS485 (Modbus RTU) interface, the devices provide data for remote monitoring projects. Communication settings can be easily configured via the dip switches located on the top cover.

With optional digital outputs, pulse signals can be generated based on the measured energy values. The digital inputs can be used as pulse counters or tariff activations. Through alarm relay outputs, alarm management can be established without the need for additional devices.

- Screenless, 7 segment, and LCD options
- Options for enclosure widths of 72 mm and 126 mm
- Support for x/1 and x/5 Current Transformer
- High Measurement Accuracy
- RS485 (Modbus RTU) Option
- 2 SPST Relay Output Options
- 2 Digital Input/Output Options
- Free user interface software



Product Name	Order No	V, C, F	P, Q, S, PF	Min / Max Data Logging	4Q. Energy Measur.	4Q Reactive Energy Monit.	THD	Individual Harmonics (up to 31st)	Demand	On Hour, Run Hour, Power Interruption Counters	Alarm Setting	Screenless	7 Segment	LCD Screen	RO (2 pcs)	DO (2 pcs)	DI (2 pcs)	Tariff	RS485 (Modbus RTU)	85-300 V DC/DC	X/1 & X/5	Rail Mount
POWYS 400R	606600	✓	✓	✓	✓	✓	✓	✓	✓	✓	✓	✓						2	✓	✓	✓	✓
POWYS 405R	606601	✓	✓	✓	✓	✓	✓	✓	✓	✓	✓	✓				✓	✓	2	✓	✓	✓	✓
POWYS 506RD	606602	✓	✓	✓	✓	✓			✓	✓	✓	✓			✓	✓	✓	2	✓	✓	✓	✓
POWYS 506RS	606603	✓	✓	✓	✓	✓			✓	✓	✓		✓		✓	✓	✓	2	✓	✓	✓	✓
POWYS 606R	606604	✓	✓	✓	✓	✓	✓	✓	✓	✓	✓			✓	✓	✓	✓	3	✓	✓	✓	✓