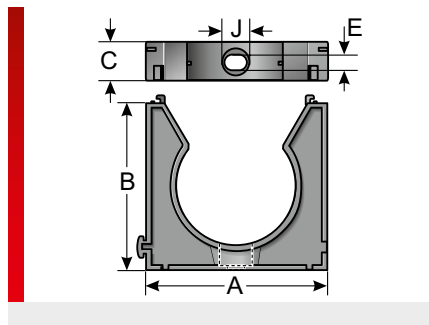


Type HS (conduit holder)



PRODUCT INFORMATION

The HS conduit holder is made of specially modified polyamide. The material is halogen, phosphor and cadmium-free. The HS holders are used as a conduit holder system that can be arranged in rows and stacks and can be adapted to different installation situations with optional accessories.

The holder features the following advantages:

- Flexible system
- Stackable
- Arrangeable in rows

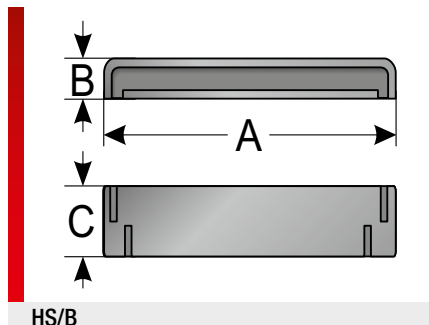
SPECIFICATIONS

- 40 – 110 °C short term 140 °C
- Mod. polyamide PA 6
UL listed material
- Acc. to UL94 V0 self-extinguishing



Type	Order No.	Colour	A mm	B mm	C mm	E mm	J mm	Pack qty.
Conduit holder suitable for Murrflex EW and EWX								
HS/U 07	83631052	Black	21.50	21.00	14.00	4.50	8.00	100
HS/U 09	83631054	Black	21.50	21.00	14.00	4.50	8.00	100
HS/U 11	83631056	Black	28.00	29.00	14.00	5.50	10.00	100
HS/U 16	83631060	Black	28.00	29.00	14.00	5.50	10.00	100
HS/U 21	83631062	Black	43.00	42.40	14.00	5.50	10.00	50
HS/U 29	83631064	Black	43.00	42.40	14.00	5.50	10.00	50
HS/U 36	83631066	Black	63.50	57.50	14.00	5.50	10.00	50
HS/U 48	83631068	Black	63.50	62.50	14.00	5.50	10.00	50
HS/U 07	83631012	Grey	21.50	21.00	14.00	4.50	8.00	100
HS/U 09	83631014	Grey	21.50	21.00	14.00	4.50	8.00	100
HS/U 11	83631016	Grey	28.00	29.00	14.00	5.50	10.00	100
HS/U 16	83631020	Grey	28.00	29.00	14.00	5.50	10.00	100
HS/U 21	83631022	Grey	43.00	42.40	14.00	5.50	10.00	50
HS/U 29	83631024	Grey	43.00	42.40	14.00	5.50	10.00	50
HS/U 36	83631026	Grey	63.50	57.50	14.00	5.50	10.00	50
HS/U 48	83631028	Grey	63.50	62.50	14.00	5.50	10.00	50

Accessories – Type HS/B bracket



PRODUCT INFORMATION

The accessories for the HS holder are made of specially modified polyamide. The material is halogen, phosphor and cadmium-free. The variant HS/B is the bracket used for the HS/U holder for higher tear-out forces.

The HS holder system features the following advantages:

- Flexible system
- Stackable
- Arrangeable in rows

SPECIFICATIONS

- 40 – 110 °C short term 140 °C
- UL listed material
Mod. polyamide PA 6
- Acc. to UL94 V0 self-extinguishing



Type	Order No.	Colour	Suited for holder	A mm	B mm	C mm	Pack qty.
Clamping bracket							
HS/B 07-09	83631250	Black	HS/U 07-09	21.50	5.00	14.00	100
HS/B 11-16	83631252	Black	HS/U 11-16	28.00	5.00	14.00	100
HS/B 21-29	83631254	Black	HS/U 21-29	43.00	6.00	14.00	50
HS/B 36-48	83631256	Black	HS/U 36-48	63.50	7.00	14.00	50
HS/B 07-09	83631210	Grey	HS/U 07-09	21.50	5.00	14.00	100
HS/B 11-16	83631212	Grey	HS/U 11-16	28.00	5.00	14.00	100
HS/B 21-29	83631214	Grey	HS/U 21-29	43.00	6.00	14.00	50
HS/B 36-48	83631216	Grey	HS/U 36-48	63.50	7.00	14.00	50