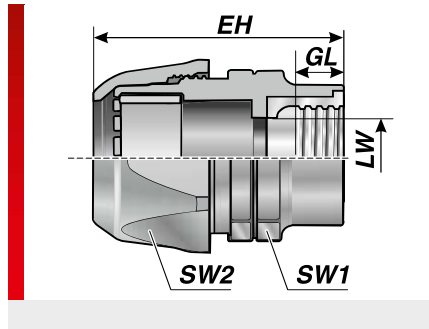


## Type IVG (metal internal thread)



### PRODUCT INFORMATION

The IVG conduit fittings are made of specially modified polyamide 6, thermoplastic elastomer and nickel-plated brass. The materials are halogen, phosphor and cadmium-free. The IVG conduit fittings feature the following advantages:

- Quick assembly, insert conduit, screw upper part tight, done
- No parts can get lost, delivered completely assembled

- Resistant to vibration due to lockable cap nut
- Clamping along entire circumference, ensuring maximum tensile strength.
- High level of tightness at IP 68/69K to 6 bar without any add-on components to DIN IEC 60529/A1

Specification:

- EN 45545-2 3x HL3

### SPECIFICATIONS

- 40 – 110 °C short term 140 °C
- Fitting: Mod. polyamide PA 6  
Connecting thread: Nickel-plated brass
- Acc. to UL94 V0 self-extinguishing
- IP 68 up to 6 bar (IP 69K)



Type	Order No.	Colour	Connecting thread	Suitable for Murrflex	EH mm	GL mm	LW mm	SW 1 / 2 mm	Pack qty.
<b>Metric metal inside threading</b>									
IVG M12-M	83571052	Black	M12x1.5	M12/P09	31.00	8.00	6.50	19.0 / 20.0	50
IVG M16-M	83571054	Black	M16x1,5	M16/P11	37.00	8.00	10.00	22.0 / 25.0	50
IVG M20-M	83571056	Black	M20x1.5	M20/P16	45.00	10.00	14.00	27.0 / 33.0	50
IVG M25-M	83571058	Black	M25x1.5	M25/P21	47.00	10.00	18.30	33.0 / 41.0	50
IVG M32-M	83571060	Black	M32x1.5	M32/P29	56.00	13.00	24.00	43.0 / 50.0	25
IVG M40-M <sup>1)</sup>	83571062	Black	M40x1.5	M40/P36	70.00	14.00	33.00	54.0 / 60.0	25
IVG M50-M	83571064	Black	M50x1.5	M50/P48	80.00	15.00	44.00	67.0 / 75.0	10

<sup>1)</sup>With CSA approval