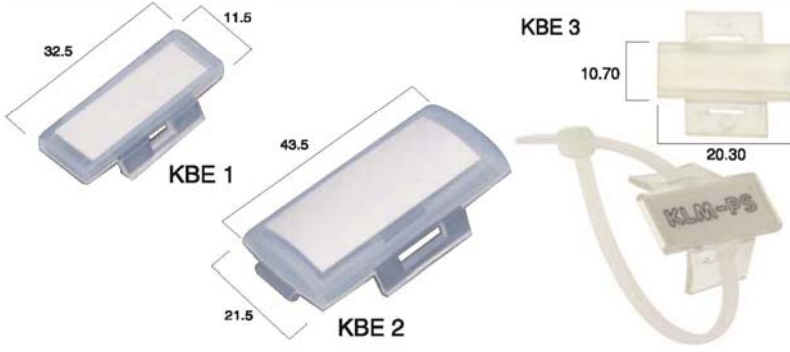
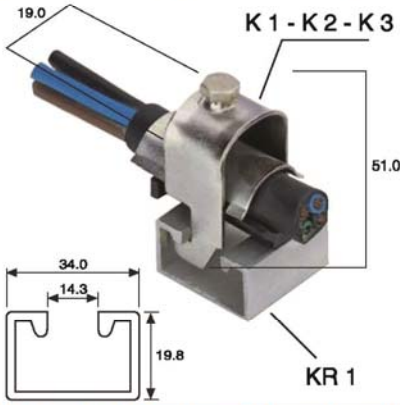


**Kablo Etiketleri / Cable Markers**



Tip Type	Sipariş No. Cat. No.	Ölçü Dimension	Max. Kablobağı Geniřliđi Max. Cable Tie Width	Miktar Qty.
KBE 1	520 110	11.5 x 32.5	4.8 mm	100
KBE 2	520 120	21.5 x 43.5	9.8 mm	100
KBE 3	508 080	10.70 x 20.30	6 mm	120

**Kablo Krořeleri ve Kroře Rayı / Cable Clamps & Cable Clamp Rail**

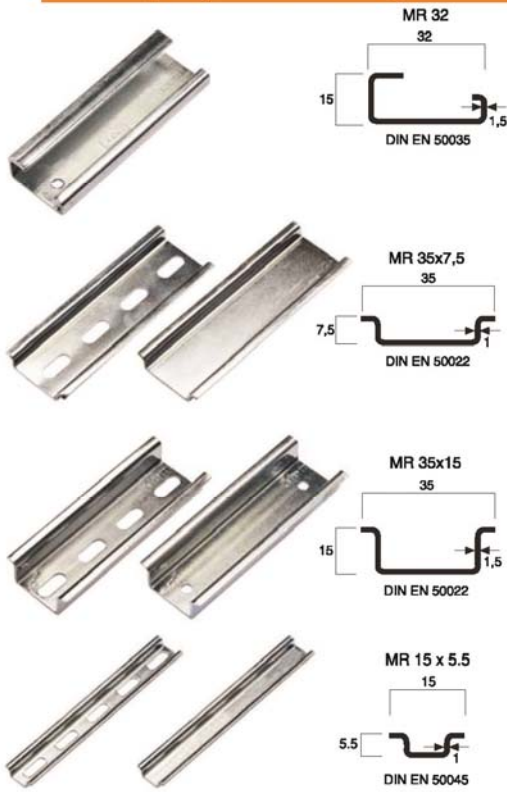


Tip Type	Sipariş No. Cat. No.	Ölçü (mm) Dimension (mm)	Max. Kablobağı Geniřliđi Min. & Max. Connection Dia	Miktar Qty.
K 1	510 110	19 x 51	8 - 12 mm	25
K 2	510 120	22.5 x 50	11 - 18 mm	25
K 3	510 130	28.5 x 55	12 - 23 mm	25

**Kablo Kroře Rayı / Cable Clamp Rail**

Tip Type	Sipariş No. Cat. No.	Ölçü (mm) Dimension (mm)	Miktar Qty.
KR 1	510 500	20 x 35	1 m

**Montaj Rayları / Mounting Rails**



Tip Type	Sipariş No. Cat. No.	Birim Uzunluk Unit Length	Düz / Non-Slotted	Miktar Qty.
MR 32	500 101	1 m	Düz / Non-Slotted	10

Tip Type	Sipariş No. Cat. No.	Birim Uzunluk Unit Length	Düz / Non-Slotted	Miktar Qty.
MR 35 x 7,5	500 601	1 m	Düz / Non-Slotted	100
MR 35 x 7,5	500 602	1 m	Delikli / Slotted	100
MR 35 x 7,5	500 603	2 m	Düz / Non-Slotted	20
MR 35 x 7,5	500 604	2 m	Delikli / Slotted	20
MR 35 x 7,5	500 605	30 cm	Düz / Non-Slotted	20

Tip Type	Sipariş No. Cat. No.	Birim Uzunluk Unit Length	Düz / Non-Slotted	Miktar Qty.
MR 35 x 15	500 606	1 m	Düz / Non-Slotted	10
MR 35 x 15	500 607	1 m	Delikli / Slotted	10
MR 35 x 15	500 608	2 m	Düz / Non-Slotted	50
MR 35 x 15	500 609	2 m	Delikli / Slotted	50

Tip Type	Sipariş No. Cat. No.	Birim Uzunluk Unit Length	Düz / Non-Slotted	Miktar Qty.
MR 15 x 5.5	500 610	1 m	Düz / Non-Slotted	50
MR 15 x 5.5	500 611	1 m	Delikli / Slotted	50
MR 15 x 5.5	500 612	2 m	Düz / Non-Slotted	50
MR 15 x 5.5	500 613	2 m	Delikli / Slotted	50

**Ray Tařıyıcı / Mounting Rail Support**



Tip/Type	Sip.Nr./Cat.No.	Mik./Qty.
RT	501 101	25