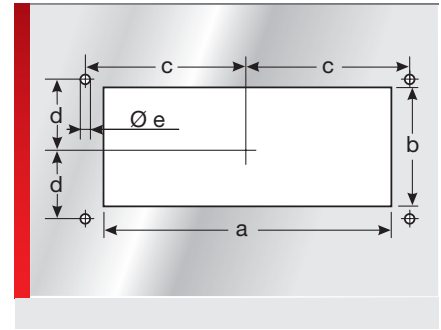
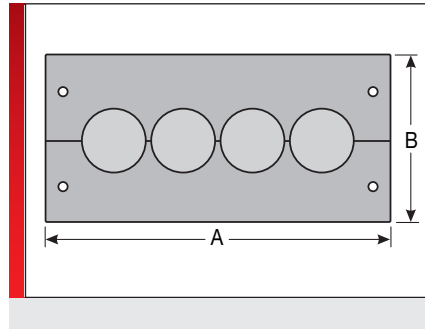
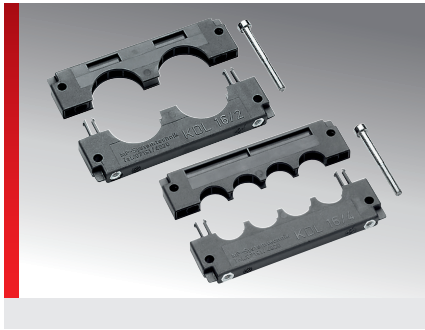


Cable entry system, type KDL



KDL cable entry system

PRODUCT INFORMATION

The KDL is a cable entry system for inserting pre-assembled cables. The types KDL 16 / xx fit on cut-outs for 16-pin connectors, the types KDL 24 /xx fit on cut-outs for 24-pin connectors, from Harting or Wieland.

- Simple mounting of pre-assembled

- cables
- Fits standard cut-outs
- Simple strain relief for cables using cable ties
- EMC solution with discharge plate, simple realisation

SPECIFICATIONS

- Polyamide 6.6
- IP 54 (with suitable grommets and cables)
- 40 – 80 °C transient / short term 100 °C
- V0

Made in Germany

Type	Order No.	Colour	No. of openings small / large	Pack qty.
For standard cut-out size 24				
KDL 24/5 ¹⁾	87171016	Black	5 / 0	1
¹⁾ Replacement seal KDL24 87980004				

DIMENSION TABLE

Type	Order No.	Installation height mm	A mm	B mm	a mm	b mm	c mm	d mm	e mm
For standard cut-out size 24									
KDL 24/5 ¹⁾	87171016	10.00	146.00	58.00	112.00	36.00	65.00	16.00	5.50
¹⁾ Replacement seal KDL24 87980004									

Suitable for

MATERIAL PROPERTIES

Polyamide 6.6

MECHANICAL PROPERTIES

Protection class
IP 54 (with suitable grommets and cables)

Cable entry system, type KDL

THERMAL PROPERTIES



Temperature / temperature range
-40 – 80 °C transient / short term 100 °C

FIRE BEHAVIOUR



Fire classification
V0

APPROVALS AND OPERATING PERMITS



DB approval



GL approval



SNCF approval

TECHNICAL INFORMATION



LABS free



UV-resistant

CONFORMITY



RoHS (EC Directive 2002/95/EC)

GENERAL INFORMATION



Made in Germany

All details given in our sales material prospectuses and catalogues as well as the information available online are based on our current knowledge of the products described.

The electronic data and files made available by Murrplastik, particularly CAD files are based on our current knowledge of the product described.

A legally binding assurance of certain properties or the suitability for a certain purpose can not be determined from this information.

All information with respect to the chemical and physical properties of Murrplastik products as well as application advice given verbally, in writing or by tests, is given to the best of our knowledge.

This does not free the purchaser of carrying out their own inspections and tests in order to determine the suitability of a product for a specific purpose.

Murrplastik accepts no responsibility for the available information being up-to-date, correct or complete. Neither do we accept responsibility for the quality of this information.

Murrplastik accepts no liability for damage caused as a result of using our products.

Murrplastik reserves the right to make technical changes and improvements through constant further development of products and services.

Our General Terms and Conditions apply.

© Murrplastik Systemtechnik GmbH • prvlD_74318~20170620~890287~87171016