



Accessories

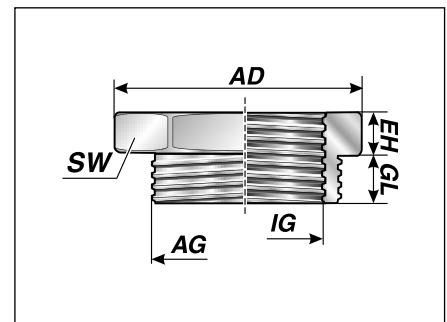
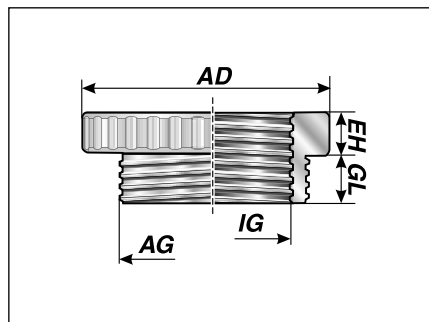
Type RR (metal reducing bush)



Brass, nickel-plated

Thread reducing bush made of metal with metric or Pg thread. Knurled or hexagon version, depending on type.

- Metric/metric
- Metric/Pg
- Pg/Pg



RR

Type	Order no.	External thread ET	Internal thread IT	EH mm	GL mm	AD mm	SW mm	Pack qty
Metric/metric version (without O-ring)								
RR-M16 / M12	83727610	M16x1.5	M12x1.5	2.5	6.0	20.0	-	100
RR-M20 / M12	83727612	M20x1.5	M12x1.5	2.5	6.5	24.0	-	100
RR-M20 / M16	83727614	M20x1.5	M16x1.5	2.5	6.5	24.0	-	100
RR-M25 / M16	83727616	M25x1.5	M16x1.5	3.0	7.0	30.0	-	100
RR-M25 / M20	83727618	M25x1.5	M20x1.5	3.0	7.0	30.0	-	100
RR-M32 / M20	83727620	M32x1.5	M20x1.5	3.5	8.0	39.0	-	50
RR-M32 / M25	83727622	M32x1.5	M25x1.5	3.5	8.0	39.0	-	50
RR-M40 / M25	83727624	M40x1.5	M25x1.5	3.5	9.0	50.0	-	25
RR-M40 / M32	83727626	M40x1.5	M32x1.5	3.5	9.0	50.0	-	25
RR-M50 / M32	83727628	M50x1.5	M32x1.5	4.0	10.0	57.0	-	25
RR-M50 / M40	83727630	M50x1.5	M40x1.5	4.0	10.0	57.0	-	25
RR-M63 / M40	83727632	M63x1.5	M40x1.5	4.0	10.0	64.0	-	10
RR-M63 / M50	83727634	M63x1.5	M50x1.5	4.0	10.0	64.0	-	10
Metric / Pg version (with O-ring on external thread)								
RR-M16 / Pg7	83727810	M16x1.5	Pg 7	3.0	5.0	-	17	100
RR-M20 / Pg9	83727812	M20x1.5	Pg 9	3.0	6.0	-	22	100
RR-M25 / Pg9	83727814	M25x1.5	Pg 9	3.0	7.0	-	27	100
RR-M25 / Pg11	83727816	M25x1.5	Pg 11	3.0	7.0	-	27	100
RR-M25 / Pg13.5	83727818	M25x1.5	Pg 13.5	3.0	7.0	-	27	100
RR-M32 / Pg13.5	83727820	M32x1.5	Pg 13.5	3.0	8.0	-	34	50
RR-M32 / Pg16	83727822	M32x1.5	Pg 16	3.0	8.0	-	34	50
RR-M32 / Pg21	83727824	M32x1.5	Pg 21	3.0	8.0	-	34	50
RR-M40 / Pg16	83727826	M40x1.5	Pg 16	4.0	8.0	-	43	25
RR-M40 / Pg21	83727828	M40x1.5	Pg 21	4.0	8.0	-	43	25

