

Cable protection conduit holders

Type UH



-40 to +110 °C



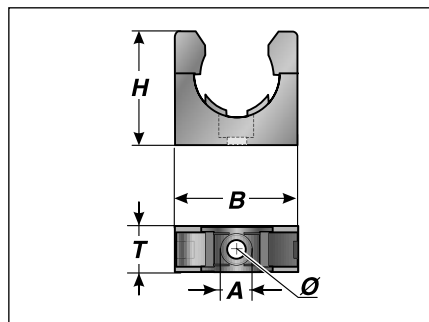
Polyamide



V0

Fixing cable protection conduits to plants and machines

- Quick assembly thanks to single-hole fixing
- Simply snap in conduits
- Optimum connection of conduit to holder thanks to double webs of holder
- Optional BL bracket for applications with high stresses



UH

Type	Order no.	Colour	Suitable for Murrflex	B mm	H mm	T mm	A mm	Ø mm	Pack qty
suitable for Murrflex EW and EWX									
UH 07	83621110	Grey	M10 / P7	29.0	23.0	11.0	7.5	4.0	100
UH 07	83621210	Black	M10 / P7	29.0	23.0	11.0	7.5	4.0	100
UH 09/M4	83621112	Grey	M12 / P9	30.0	23.0	12.5	8.5	4.0	100
UH 09/M4	83621212	Black	M12 / P9	30.0	23.0	12.5	8.5	4.0	100
UH 09/M5	83621113	Grey	M12 / P9	30.0	23.0	12.5	8.5	5.0	100
UH 09/M5	83621213	Black	M12 / P9	30.0	23.0	12.5	8.5	5.0	100
UH 11/M4	83621114	Grey	M16 / P11	30.0	23.0	12.5	8.5	4.0	100
UH 11/M4	83621214	Black	M16 / P11	30.0	23.0	12.5	8.5	4.0	100
UH 11/M5	83621115	Grey	M16 / P11	30.0	23.0	12.5	8.5	5.0	100
UH 11/M5	83621215	Black	M16 / P11	30.0	23.0	12.5	8.5	5.0	100
UH 16/M5	83621116	Grey	M20 / P16(S)	35.0	30.0	15.0	10.5	5.0	100
UH 16/M5	83621216	Black	M20 / P16(S)	35.0	30.0	15.0	10.5	5.0	100
UH 16/M6	83621117	Grey	M20 / P16(S)	35.0	30.0	15.0	10.5	6.0	100
UH 16/M6	83621217	Black	M20 / P16(S)	35.0	30.0	15.0	10.5	6.0	100
UH 21	83621118	Grey	M25 / P21(S)	42.0	38.0	16.0	11.0	6.0	100
UH 21	83621218	Black	M25 / P21(S)	42.0	38.0	16.0	11.0	6.0	100
UH 29	83621120	Grey	M32 / P29(S)	51.0	43.0	16.0	11.5	6.0	50
UH 29	83621220	Black	M32 / P29(S)	51.0	43.0	16.0	11.5	6.0	50
UH 36	83621122	Grey	M40 / P36(S)	61.0	51.0	18.0	13.5	6.0	50
UH 36	83621222	Black	M40 / P36(S)	61.0	51.0	18.0	13.5	6.0	50
UH 48	83621124	Grey	M50 / P48(S)	74.0	64.0	19.0	13.5	6.0	50
UH 48	83621224	Black	M50 / P48(S)	74.0	64.0	19.0	13.5	6.0	50

