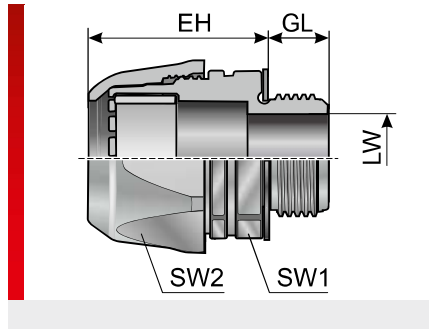


Type VG (plastic thread)



PRODUCT INFORMATION

The VG conduit fittings are made of specially modified polyamide 6 and thermoplastic elastomer. The materials are halogen, phosphor and cadmium-free. The VG conduit fittings feature the following advantages:

- Quick assembly, insert conduit, screw upper part tight, done
- No parts can get lost, delivered completely assembled

- Resistant to vibration due to lockable cap nut
- Clamping along entire circumference, ensuring maximum tensile strength.
- High level of tightness at IP 68/69K to 6 bar and without any add-on components to EN 60529

Specification:

- EN 45545-2 3x HL3

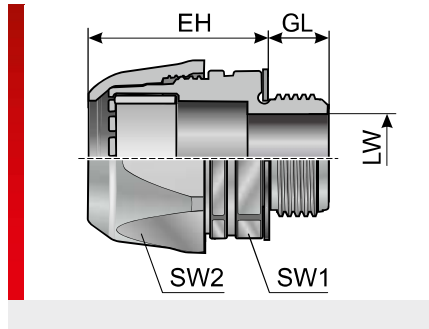
SPECIFICATIONS

- 40 – 110 °C short term 140 °C
- Fitting: Mod. polyamide PA 6
Connecting thread: Mod. polyamide PA 6
- Acc. to UL94 V0 self-extinguishing
- IP 68 up to 6 bar (IP 69K)



Type	Order No.	Colour	Connecting thread	Suitable for Murrflex	EH mm	GL mm	LW mm	SW 1 / 2 mm	Pack qty.
Metric plastic thread									
VG M12-K ⁽¹⁾	83511052	Black	M12x1.5	M12/P09	21.00	12.00	7.20	20.0 / 20.0	50
VG M16-K ⁽¹⁾	83511054	Black	M16x1,5	M16/P11	27.00	12.00	10.50	25.0 / 25.0	50
VG M20-K ⁽¹⁾	83511056	Black	M20x1.5	M20/P16	35.00	13.00	14.60	33.0 / 33.0	50
VG M25-K ⁽¹⁾	83511058	Black	M25x1.5	M25/P21	37.00	13.00	19.00	41.0 / 41.0	50
VG M32-K ⁽¹⁾	83511060	Black	M32x1.5	M32/P29	46.00	14.00	26.00	50.0 / 50.0	25
VG M40-K ⁽²⁾	83511062	Black	M40x1.5	M40/P36	53.00	17.00	33.50	60.0 / 60.0	25
VG M50-K ⁽¹⁾	83511064	Black	M50x1.5	M50/P48	60.00	17.00	41.20	75.0 / 75.0	10
Pg plastic threading									
VG P9-K ⁽¹⁾	83511452	Black	Pg 09	M12/P09	21.00	12.00	7.20	20.0 / 20.0	50
VG P11-K ⁽¹⁾	83511454	Black	Pg 11	M16/P11	27.00	12.00	10.50	25.0 / 25.0	50
VG P16-K ⁽¹⁾	83511456	Black	Pg 16	M20/P16	35.00	13.00	14.60	33.0 / 33.0	50
VG P21-K ⁽¹⁾	83511458	Black	Pg 21	M25/P21	37.00	13.00	22.00	41.0 / 41.0	50
VG P29-K ⁽¹⁾	83511460	Black	Pg 29	M32/P29	46.00	14.00	26.00	50.0 / 50.0	25
VG P36-K ⁽²⁾	83511462	Black	Pg 36	M40/P36	53.00	17.00	33.50	60.0 / 60.0	25
VG P48-K ⁽¹⁾	83511464	Black	Pg 48	M50/P48	60.00	17.00	49.00	75.0 / 75.0	10

Type VG (plastic thread) (Continued...)



Type	Order No.	Colour	Connecting thread	Suitable for Murrflex	EH mm	GL mm	LW mm	SW 1 / 2 mm	Pack qty.
VG P9-K ¹⁾	83511412	Grey	Pg 09	M12/P09	21.00	12.00	7.20	20.0 / 20.0	50
VG P11-K ¹⁾	83511414	Grey	Pg 11	M16/P11	27.00	12.00	10.50	25.0 / 25.0	50
VG P16-K ¹⁾	83511416	Grey	Pg 16	M20/P16	35.00	13.00	14.60	33.0 / 33.0	50
VG P21-K ¹⁾	83511418	Grey	Pg 21	M25/P21	37.00	13.00	22.00	41.0 / 41.0	50
VG P29-K ¹⁾	83511420	Grey	Pg 29	M32/P29	46.00	14.00	26.00	50.0 / 50.0	25
VG P36-K ²⁾	83511422	Grey	Pg 36	M40/P36	53.00	17.00	33.50	60.0 / 60.0	25
VG P48-K ¹⁾	83511424	Grey	Pg 48	M50/P48	60.00	17.00	49.00	75.0 / 75.0	10
NPT plastic threading									
VG N 3/8"-K ¹⁾	83511850	Black	3/8"	M16/P11	27.00	12.00	10.50	25.0 / 25.0	50
VG N 1/2"-K ¹⁾	83511852	Black	1/2"	M20/P16	35.00	13.00	14.60	33.0 / 33.0	50
VG N 3/4"-K ¹⁾	83511854	Black	3/4"	M25/P21	37.00	13.00	19.00	41.0 / 41.0	50
VG N 1"-K ¹⁾	83511856	Black	1"	M32/P29	46.00	14.00	26.00	50.0 / 50.0	25
VG N 1 1/4 -K ²⁾	83511858	Black	1 1/4"	M40/P36	53.00	17.00	33.50	60.0 / 60.0	25
VG N 2"-K ¹⁾	83511860	Black	2"	M50/P48	60.00	17.00	41.20	75.0 / 75.0	10
VG N 3/8"-K ³⁾	83511810	Grey	3/8"	M16/P11	27.00	12.00	10.50	25.0 / 25.0	50
VG N 1/2"-K ¹⁾	83511812	Grey	1/2"	M20/P16	35.00	13.00	14.60	33.0 / 33.0	50
VG N 3/4"-K ¹⁾	83511814	Grey	3/4"	M25/P21	37.00	13.00	19.00	41.0 / 41.0	50
VG N 1"-K ¹⁾	83511816	Grey	1"	M32/P29	46.00	14.00	26.00	50.0 / 50.0	25
VG N 1 1/4 -K ²⁾	83511818	Grey	1 1/4"	M40/P36	53.00	17.00	33.50	60.0 / 60.0	25
VG N 2"-K ⁴⁾	83511820	Grey	2"	M50/P48	60.00	17.00	41.20	75.0 / 75.0	10

¹⁾ With cURus- approval

²⁾ With CSA- and cURus- approval

³⁾ With cURus approval, - min. order quantity 1000 pcs

⁴⁾ With cURus approval, - min. order quantity 400 pcs