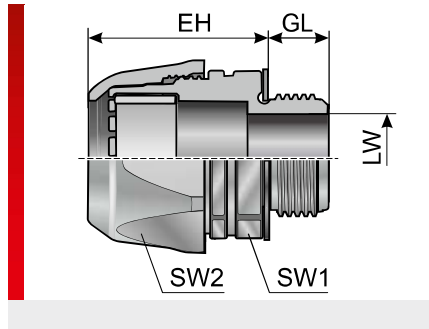


## Type VG (metal thread)



### PRODUCT INFORMATION

The VG conduit fittings are made of specially modified polyamide 6, thermoplastic elastomer and nickel-plated brass. The materials are halogen, phosphor and cadmium-free. The VG conduit fittings feature the following advantages:

- Quick assembly, insert conduit, screw upper part tight, done
- No parts can get lost, delivered completely assembled

- Resistant to vibration due to lockable cap nut
- Clamping along entire circumference, ensuring maximum tensile strength.
- High level of tightness at IP 68/69K to 6 bar without any add-on components to EN 60529

Specification:

- EN 45545-2 3x HL3

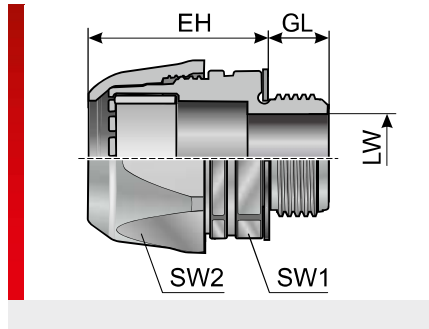
### SPECIFICATIONS

- 40 – 110 °C short term 140 °C
- Fitting: Mod. polyamide PA 6  
Connecting thread: Nickel-plated brass
- Acc. to UL94 V0 self-extinguishing
- IP 68 up to 6 bar (IP 69K)



Type	Order No.	Colour	Connecting thread	Suitable for Murrflex	EH mm	GL mm	LW mm	SW 1 / 2 mm	Pack qty.
<b>Metric metal thread</b>									
VG M12-M <sup>1)</sup>	83511252	Black	M12x1.5	M12/P09	21.00	12.00	7.20	20.0 / 20.0	50
VG M16x1.5/09-M <sup>1)</sup>	83511253	Black	M16x1,5	M12/P09	21.00	12.00	10.50	20.0 / 20.0	50
VG M16-M <sup>1)</sup>	83511254	Black	M16x1,5	M16/P11	27.00	12.00	10.50	25.0 / 25.0	50
VG M20x1.5/11-M <sup>1)</sup>	83511255	Black	M20x1.5	M16/P11	27.00	13.00	14.60	25.0 / 25.0	50
VG M20-M <sup>1)</sup>	83511256	Black	M20x1.5	M20/P16	35.00	13.00	14.60	33.0 / 33.0	50
VG M25x1.5/16-M <sup>1)</sup>	83511257	Black	M25x1.5	M20/P16	35.00	13.00	19.00	33.0 / 33.0	50
VG M25-M <sup>1)</sup>	83511258	Black	M25x1.5	M25/P21	37.00	13.00	19.00	41.0 / 41.0	50
VG M32x1.5/21-M <sup>1)</sup>	83511259	Black	M32x1.5	M25/P21	37.00	14.00	26.00	41.0 / 41.0	25
VG M32-M <sup>1)</sup>	83511260	Black	M32x1.5	M32/P29	46.00	14.00	26.00	50.0 / 50.0	25
VG M40x1.5/29-M <sup>1)</sup>	83511261	Black	M40x1.5	M32/P29	46.00	17.00	33.50	50.0 / 50.0	25
VG M40-M <sup>2)</sup>	83511262	Black	M40x1.5	M40/P36	53.00	17.00	32.00	60.0 / 60.0	25
VG M50x1.5/36-M <sup>1)</sup>	83511263	Black	M50x1.5	M40/P36	53.00	17.00	41.20	60.0 / 60.0	10
VG M50-M <sup>1)</sup>	83511264	Black	M50x1.5	M50/P48	60.00	17.00	41.20	75.0 / 75.0	10
VG M63x1.5/48-M <sup>1)</sup>	83511266	Black	M63x1.5	M50/P48	60.00	17.00	50.30	75.0 / 75.0	10
VG M12-M <sup>1)</sup>	83511212	Grey	M12x1.5	M12/P09	21.00	12.00	7.20	20.0 / 20.0	50
VG M16-M <sup>1)</sup>	83511214	Grey	M16x1,5	M16/P11	27.00	12.00	10.50	25.0 / 25.0	50
VG M20-M <sup>1)</sup>	83511216	Grey	M20x1.5	M20/P16	35.00	13.00	14.60	33.0 / 33.0	50
VG M25-M <sup>1)</sup>	83511218	Grey	M25x1.5	M25/P21	37.00	13.00	19.00	41.0 / 41.0	50
VG M32-M <sup>1)</sup>	83511220	Grey	M32x1.5	M32/P29	46.00	14.00	26.00	50.0 / 50.0	25
VG M40-M <sup>2)</sup>	83511222	Grey	M40x1.5	M40/P36	53.00	17.00	32.00	60.0 / 60.0	25
VG M50-M <sup>1)</sup>	83511224	Grey	M50x1.5	M50/P48	60.00	17.00	41.20	75.0 / 75.0	10
VG M63x1.5/48-M <sup>1)</sup>	83511226	Grey	M63x1.5	M50/P48	60.00	17.00	50.30	75.0 / 75.0	10

**Type VG (metal thread)** (Continued...)



Type	Order No.	Colour	Connecting thread	Suitable for Murrflex	EH mm	GL mm	LW mm	SW 1 / 2 mm	Pack qty.
<b>Pg-metal threading</b>									
VG P9-M <sup>1)</sup>	83511652	Black	Pg 09	M12/P09	21.00	12.00	7.20	20.0 / 20.0	50
VG P11-M <sup>1)</sup>	83511654	Black	Pg 11	M16/P11	27.00	12.00	10.50	25.0 / 25.0	50
VG P16-M <sup>1)</sup>	83511656	Black	Pg 16	M20/P16	35.00	13.00	14.60	33.0 / 33.0	50
VG P21-M <sup>1)</sup>	83511658	Black	Pg 21	M25/P21	37.00	13.00	19.00	41.0 / 41.0	50
VG P29-M <sup>1)</sup>	83511660	Black	Pg 29	M32/P29	46.00	14.00	26.00	50.0 / 50.0	25
VG P36-M <sup>2)</sup>	83511662	Black	Pg 36	M40/P36	53.00	17.00	33.50	60.0 / 60.0	25
VG P48-M <sup>1)</sup>	83511664	Black	Pg 48	M50/P48	60.00	17.00	41.20	75.0 / 75.0	10
<b>Grey variants</b>									
VG P9-M <sup>1)</sup>	83511612	Grey	Pg 09	M12/P09	21.00	12.00	7.20	20.0 / 20.0	50
VG P11-M <sup>1)</sup>	83511614	Grey	Pg 11	M16/P11	27.00	12.00	10.50	25.0 / 25.0	50
VG P16-M <sup>1)</sup>	83511616	Grey	Pg 16	M20/P16	35.00	13.00	14.60	33.0 / 33.0	50
VG P21-M <sup>1)</sup>	83511618	Grey	Pg 21	M25/P21	37.00	13.00	19.00	41.0 / 41.0	50
VG P29-M <sup>1)</sup>	83511620	Grey	Pg 29	M32/P29	46.00	14.00	26.00	50.0 / 50.0	25
VG P36-M <sup>2)</sup>	83511622	Grey	Pg 36	M40/P36	53.00	17.00	33.50	60.0 / 60.0	25
VG P48-M <sup>1)</sup>	83511624	Grey	Pg 48	M50/P48	60.00	17.00	41.20	75.0 / 75.0	10
<b>NPT metal threading</b>									
VG N 3/8"-M <sup>1)</sup>	83512050	Black	3/8"	M16/P11	27.00	12.00	10.50	25.0 / 25.0	50
VG N 1/2"-M <sup>1)</sup>	83512052	Black	1/2"	M20/P16	35.00	13.00	14.60	33.0 / 33.0	50
VG N 3/4"-M <sup>1)</sup>	83512054	Black	3/4"	M25/P21	37.00	13.00	19.00	41.0 / 41.0	50
VG N 1"-M <sup>1)</sup>	83512056	Black	1"	M32/P29	46.00	14.00	26.00	50.0 / 50.0	25
VG N 1 1/4"-M <sup>2)</sup>	83512058	Black	1 1/4"	M40/P36	53.00	17.00	33.50	60.0 / 60.0	25
VG N 2"-M <sup>1)</sup>	83512060	Black	2"	M50/P48	60.00	17.00	41.20	75.0 / 75.0	10
<b>Grey variants</b>									
VG N 3/8"-M <sup>1)</sup>	83512010	Grey	3/8"	M16/P11	27.00	12.00	10.50	25.0 / 25.0	50
VG N 1/2"-M <sup>1)</sup>	83512012	Grey	1/2"	M20/P16	35.00	13.00	14.60	33.0 / 33.0	50
VG N 3/4"-M <sup>1)</sup>	83512014	Grey	3/4"	M25/P21	37.00	13.00	19.00	41.0 / 41.0	50
VG N 1"-M <sup>1)</sup>	83512016	Grey	1"	M32/P29	46.00	14.00	26.00	50.0 / 50.0	25
VG N 1 1/4"-M <sup>2)</sup>	83512018	Grey	1 1/4"	M40/P36	53.00	17.00	33.50	60.0 / 60.0	25
VG N 2"-M <sup>1)</sup>	83512020	Grey	2"	M50/P48	60.00	17.00	41.20	75.0 / 75.0	10

<sup>1)</sup> With cURus- approval

<sup>2)</sup> With CSA- and cURus- approval