

Strain relief, type ZL-AH



-40 to +125 °C

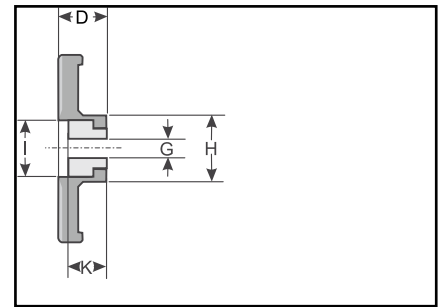
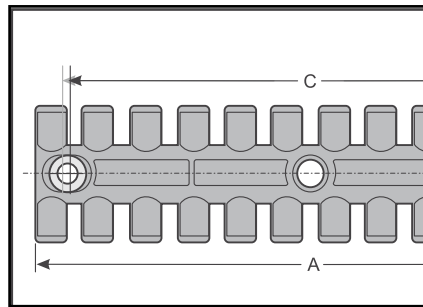
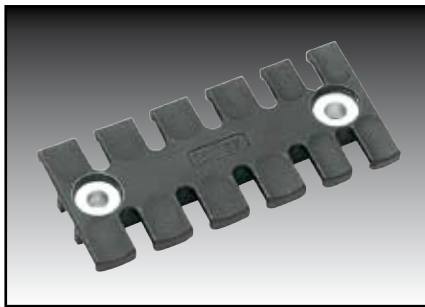


Plate: Polyamide
Insert bushing: Aluminium



V0

The strain relief plate ZL-AH is based on the strain relief plate ZL. Inserting the aluminium bush enables a standard M5 screw to be used for fastening.



ZL-AH...

Type	Order no.	Colour	max. number of cables	A mm	B mm	C mm	D mm	G mm	H mm	I mm	K mm	Pack qty
ZL-AH 39	87701230	black	3	38.5	40.0	19.5	10.0	5.5	14.0	12.0	7.0	1
ZL-AH 60	87701232	black	4	59.5	40.0	43.5	10.0	5.5	14.0	12.0	7.0	1
ZL-AH 87	87701234	black	6	86.5	40.0	68.0	10.0	5.5	14.0	12.0	7.0	1
ZL-AH 103	87701236	black	7	102.5	40.0	84.0	10.0	5.5	14.0	12.0	7.0	1
ZL-AH 121	87701238	black	8	121.0	40.0	120.5	10.0	5.5	14.0	12.0	7.0	1
ZL-AH 140	87701240	black	9	139.5	40.0	121.0	10.0	5.5	14.0	12.0	7.0	1
ZL-AH 180	87701242	black	12	180.0	42.0	154.0 - 160.0	10.0	5.5	14.0	12.0	7.0	1

