



Strain relief Cable fixing plate

Strain relief, type ZL-MF

Made in Germany



-40 – 125 °C, transient 140 °C



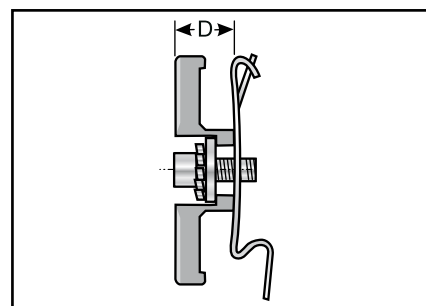
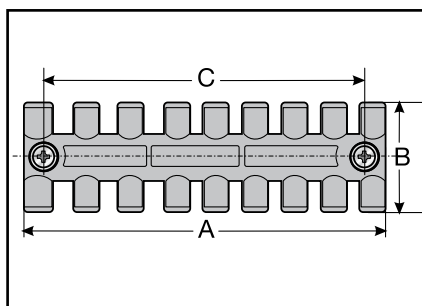
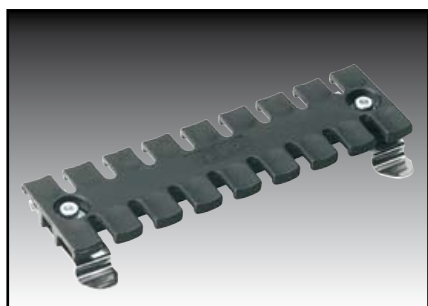
Polyamide 6.6



V0

The strain relief plate ZL-MF is based on the strain relief plate ZL. The preassembled feet enable simple, tool-free assembly on a 35mm top hat rail (EN 50022). The feet are made of galvanised steel plate.

- Quick and easy to assemble and disassemble without the need for tools.
- Orderly routing of the cable
- Simple and effective strain relief through cable ties



ZL-MF

Type	Order no.	Colour	Max. number of cables	A mm	B mm	C mm	D mm	Pack qty.
ZL-MF 39	87702610	black	3	38.5	40.0	19.5	10.0	1
ZL-MF 70	87702614	black	5	69.5	40.0	43.5	10.0	1
ZL-MF 140	87702622	black	9	139.5	40.0	121.0	10.0	1

